



REME Möbelbeschläge GmbH

In the owner-operated family business REME develops and manufactures individual drawer runners for the furniture industry. Our customers benefit from our long-term experience, creative ideas and certified quality „Made in Germany“. Superior design, high resistance and continuous development complete our overall concept.



PEANUT®

PERFECT PEANUT®

The premium single extension slide for a tool-free mounting



PDF Link

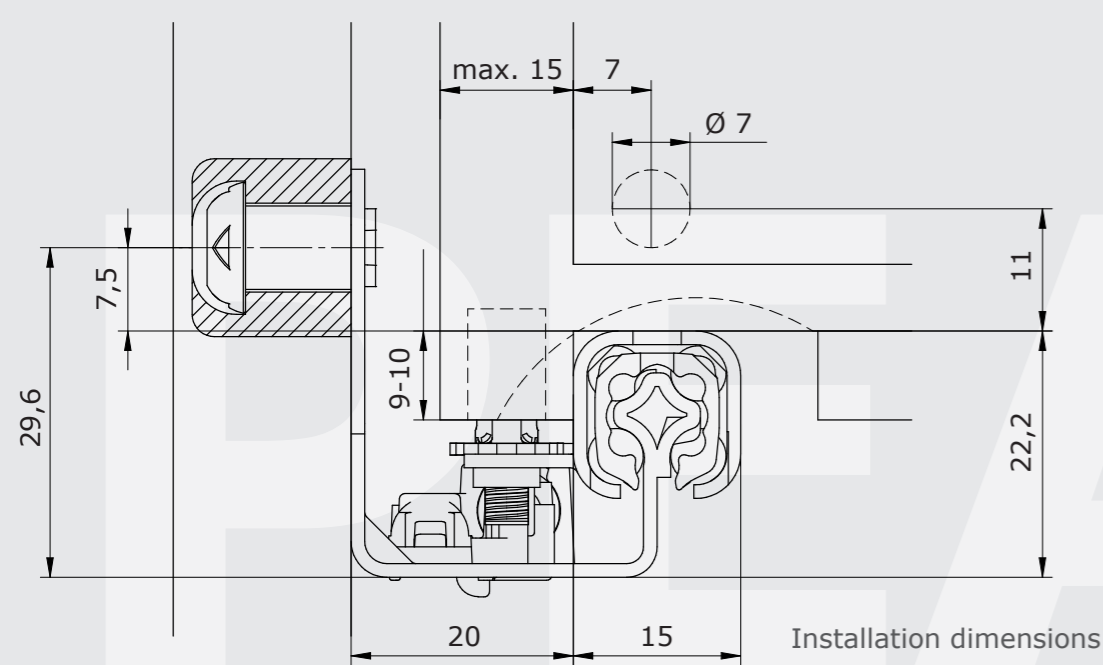


REME Möbelbeschläge GmbH
Industriestraße 48
33161 Hövelhof

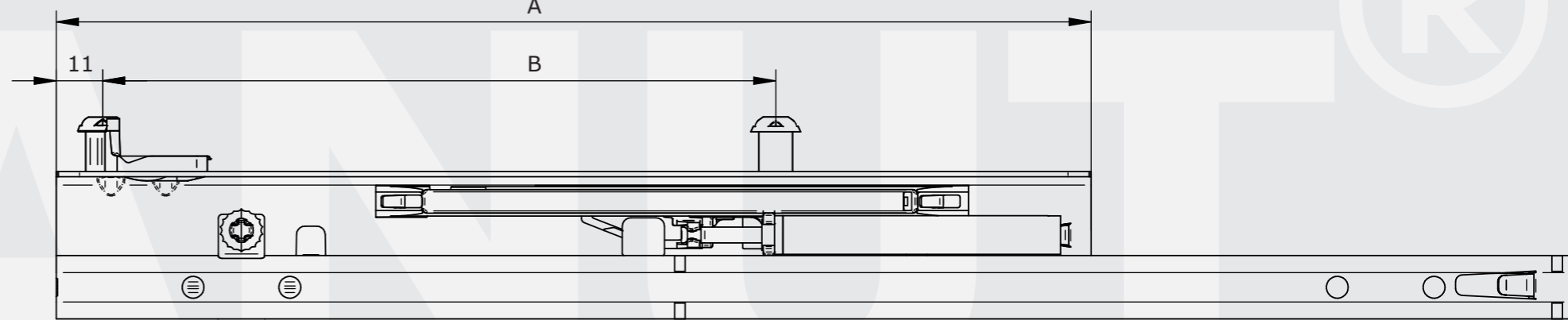
+49 (0) 5257 9492-920
info@reme-gmbh.de
www.reme-gmbh.de

facebook.com/reme.job
instagram.com/reme-gmbh

Made in Germany!



Installation dimensions



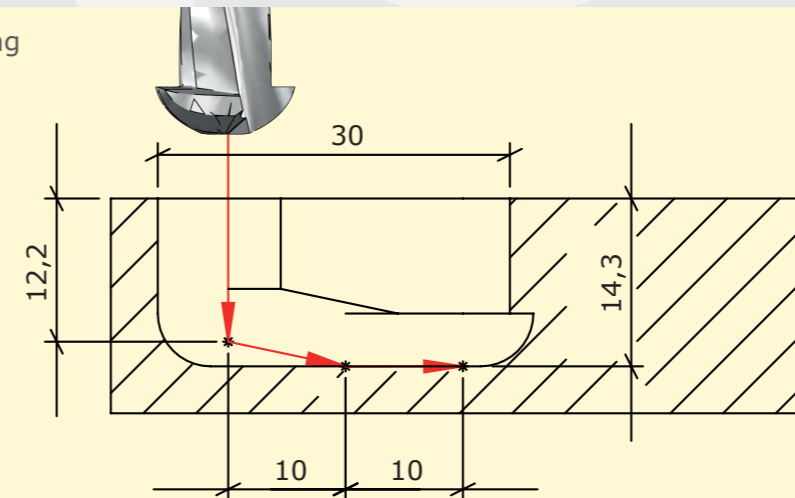
Length and hole pattern of the cabinet runner

Length cabinet runner A	214	246	278	310	342
Peanut hole distance B	128	160	192	224	256

The star-shaped geometry of the PERFECT PEANUT® single extension skilfully absorbs incorrect loads. The overlapping of the star area ensures high stiffness, which also positively influences the damper function. The PEANUT® connection technology also allows the drawer runner to be mounted without tools. PERFECT PEANUT® meets all functional requirements for wooden drawers in living and sleeping areas. PERFECT PEANUT® is optionally available as a full-featured standard version, or as a shortened stub version.

- Star-shaped profile
- Loading capacity up to 25 kg
- Lengths from 250 to 500 mm
- With PEANUT® connecting fittings
- Quick and easy installation
- Stepless height adjustment
- With integrated damping system
- Perfect height and side stability
- Available with 1D or 2D coupling
- Also as stub version (without coupling)

Milling



STANDARD

Drawer length in mm	Drawer runner in mm	Cabinet runner in mm	Order no. Damping	Order no. Damping and 1D-coupling	Order no. Damping and 2D-coupling
250	260	214	3242502019000	3242502019100	3242502019200
300	310	246	3243002019000	3243002019100	3243002019200
325	335	246	3243252019000	3243252019100	3243252019200
350	360	246	3243502019000	3243502019100	3243502019200
400	410	278	3244002019000	3244002019100	3244002019200
450	460	310	3244502019000	3244502019100	3244502019200
500	510	342	3245002019000	3245002019100	3245002019200
550	560	342	3245502019000	3245502019100	3245502019200

STUB

Drawer length in mm	Drawer runner in mm	Cabinet runner in mm	Order no. Damping and Lift Lock
250	220,5	214	3242502039300
300	220,5	246	3243002039300
325	253,5	246	3243252039300
350	253,5	246	3243502039300
400	281,5	278	3244002039300
450	315,5	310	3244502039300
500	341,5	342	3245002039300
550	370,5	342	3245502039300

New PEANUT® connection technology

The PEANUT® is an invisible connector which allows the PERFECT® slide to be mounted quickly and easily without tools. The PEANUT® is made of reinforced plastic, which ensures a high clamping force when inserted into the cabinet wall. The PEANUT® head is specifically designed to maximize ease of assembly and joint strength. The PERFECT concealed slides can thus be installed quickly, easily and without tools.

Coupling Technology

The new types of couplings make the mounting and demounting of drawers quick and easy. All in one: safety catch, coupling and alignment. Available either as 1D (height adjustment), or 2D (height and side adjustment). Fast, simple and toolless achieving of a perfect front panel alignment.

