

LIFT LOCK

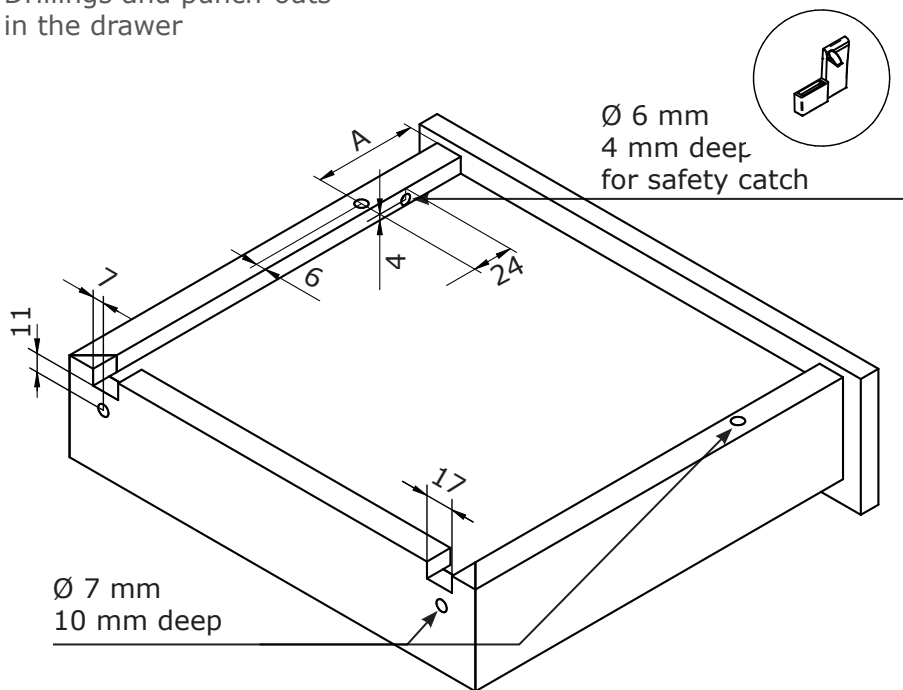
Assembly instruction for
single extension slide PERFECT
in the stub version



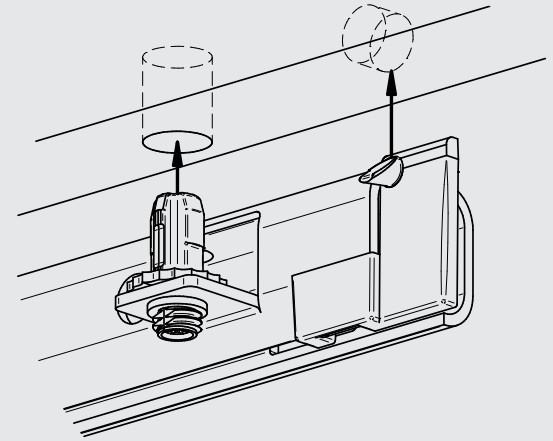
PDF Link

LIFT LOCK

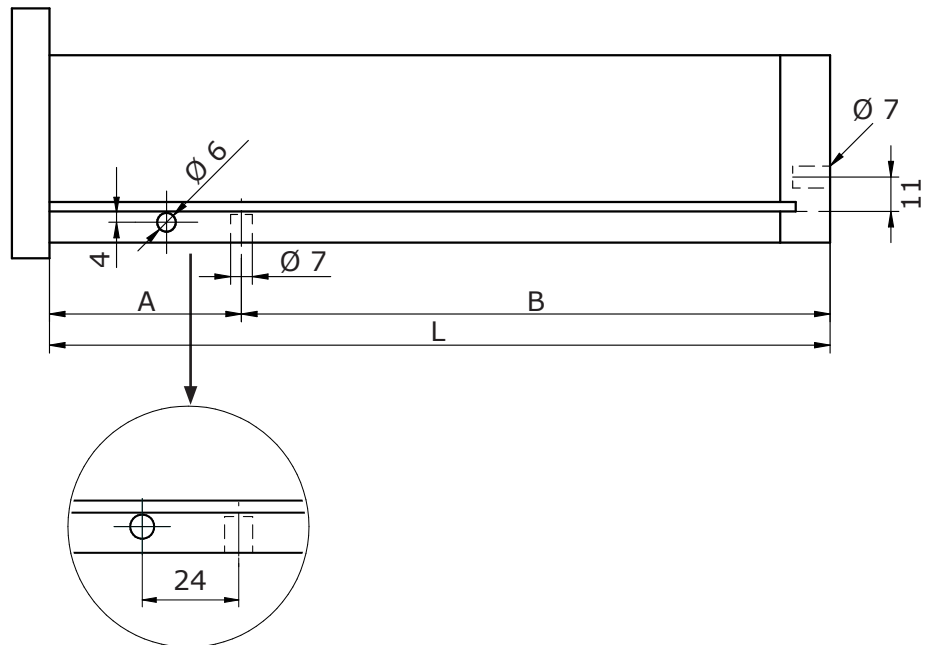
Drillings and punch-outs in the drawer



Mounting holes



Drawer length in mm	A	B
250	61,5	188,5
300	111,5	188,5
325	103,5	221,5
350	128,5	221,5
400	150,5	249,5
450	166,5	283,5
500	190,5	309,5
550	211,5	338,5

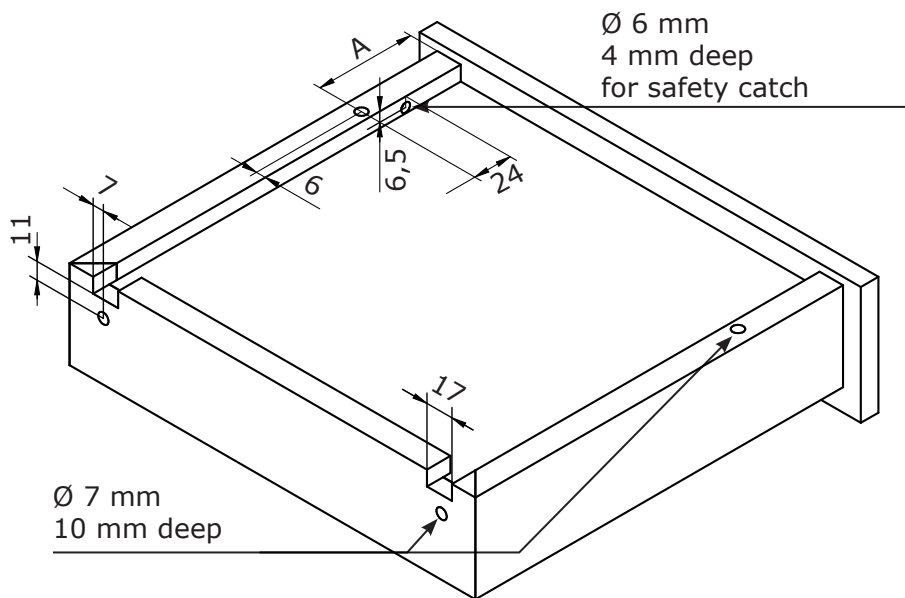


Lift Lock for PERFECT in the stub version

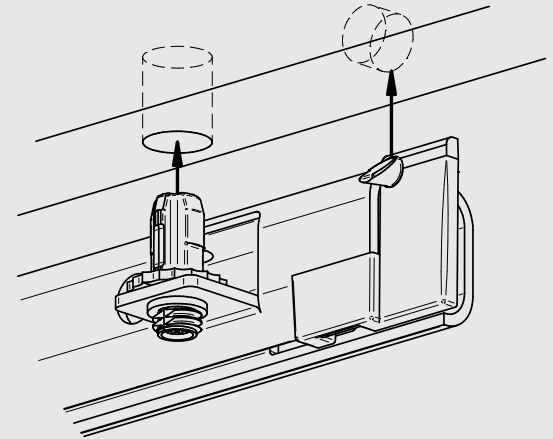
With the new Lift Lock latch, assembly is quick and easy: simply place the drawer on the slide and push the latches into the side panel mounting holes. The Lift Lock latch is only compatible with the PERFECT single extension slide in the stub version.

LIFT LOCK

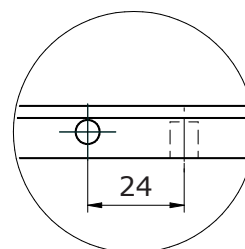
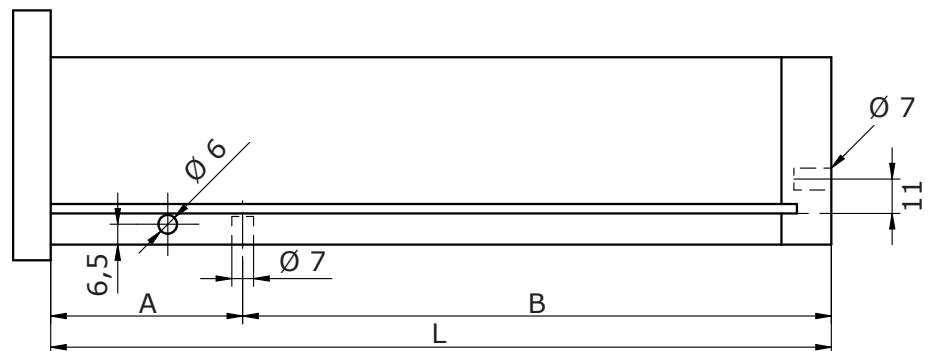
Drillings and punch-outs in the drawer



Mounting holes



Drawer length in mm	A	B
250	61,5	188,5
300	111,5	188,5
325	103,5	221,5
350	128,5	221,5
400	150,5	249,5
450	166,5	283,5
500	190,5	309,5
550	211,5	338,5



Lift Lock for PERFECT in the stub version

With the new Lift Lock latch, assembly is quick and easy: simply place the drawer on the slide and push the latches into the side panel mounting holes. The Lift Lock latch is only compatible with the PERFECT single extension slide in the stub version.