

1D-COUPLING

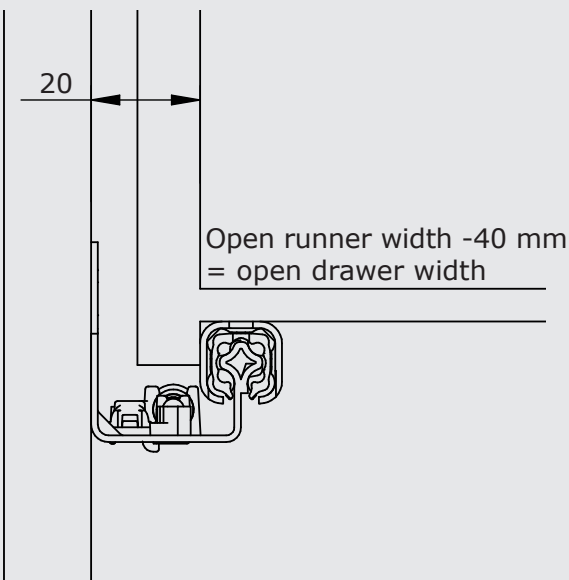
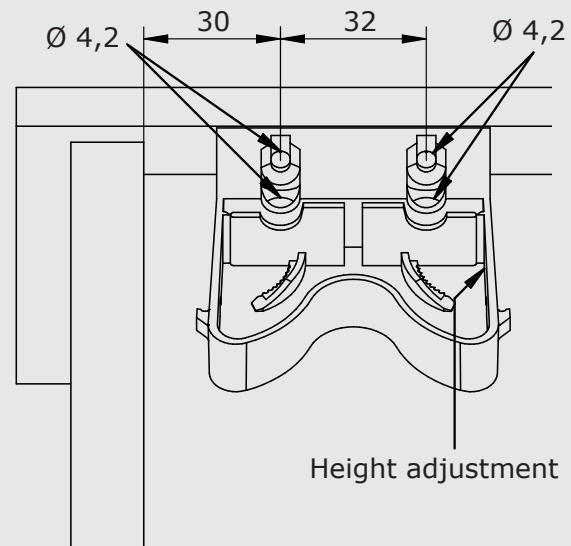
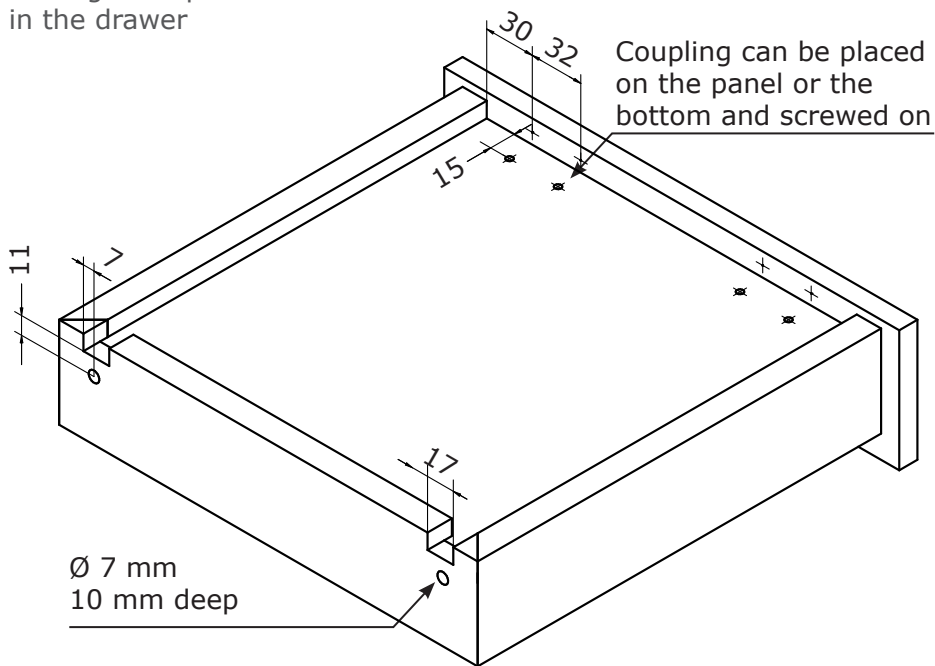
Assembly instruction for
single extension slide PERFECT



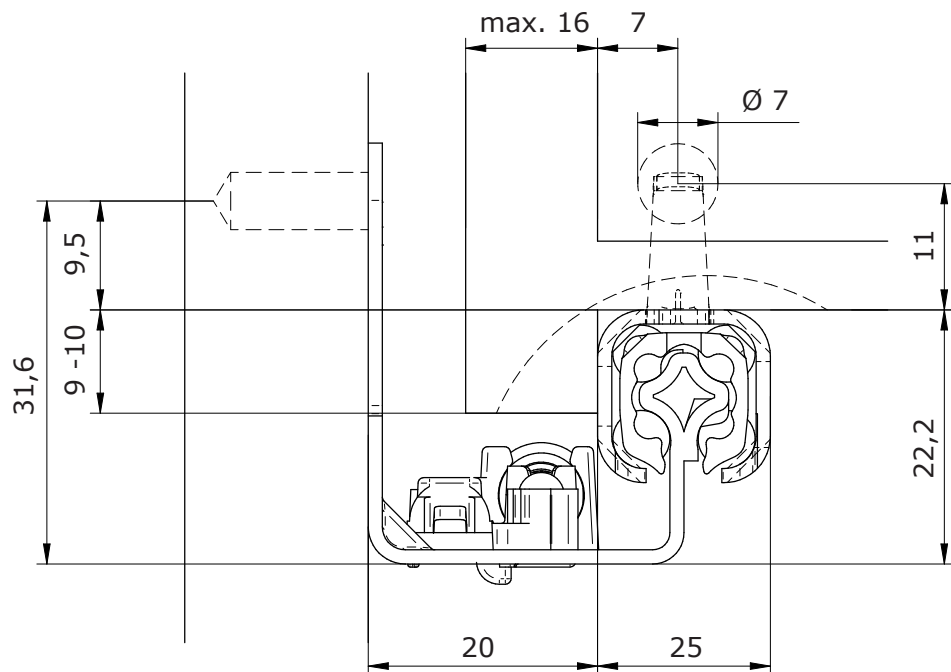
PDF Link

1D-COUPLING

Drillings and punch-outs in the drawer



Installation dimensions



1D-coupling for PERFECT

The 1D-coupling for PERFECT is adjustable for height and laterally and allows a precisely fitting installation. The new coupling variant makes the mounting and demounting of drawers quick and easy. Fast, simple and toolless achieving of a perfect front panel alignment.

You can find the matching assembly video on our YouTube channel.



Video